

HINGES FOR WINDOWS

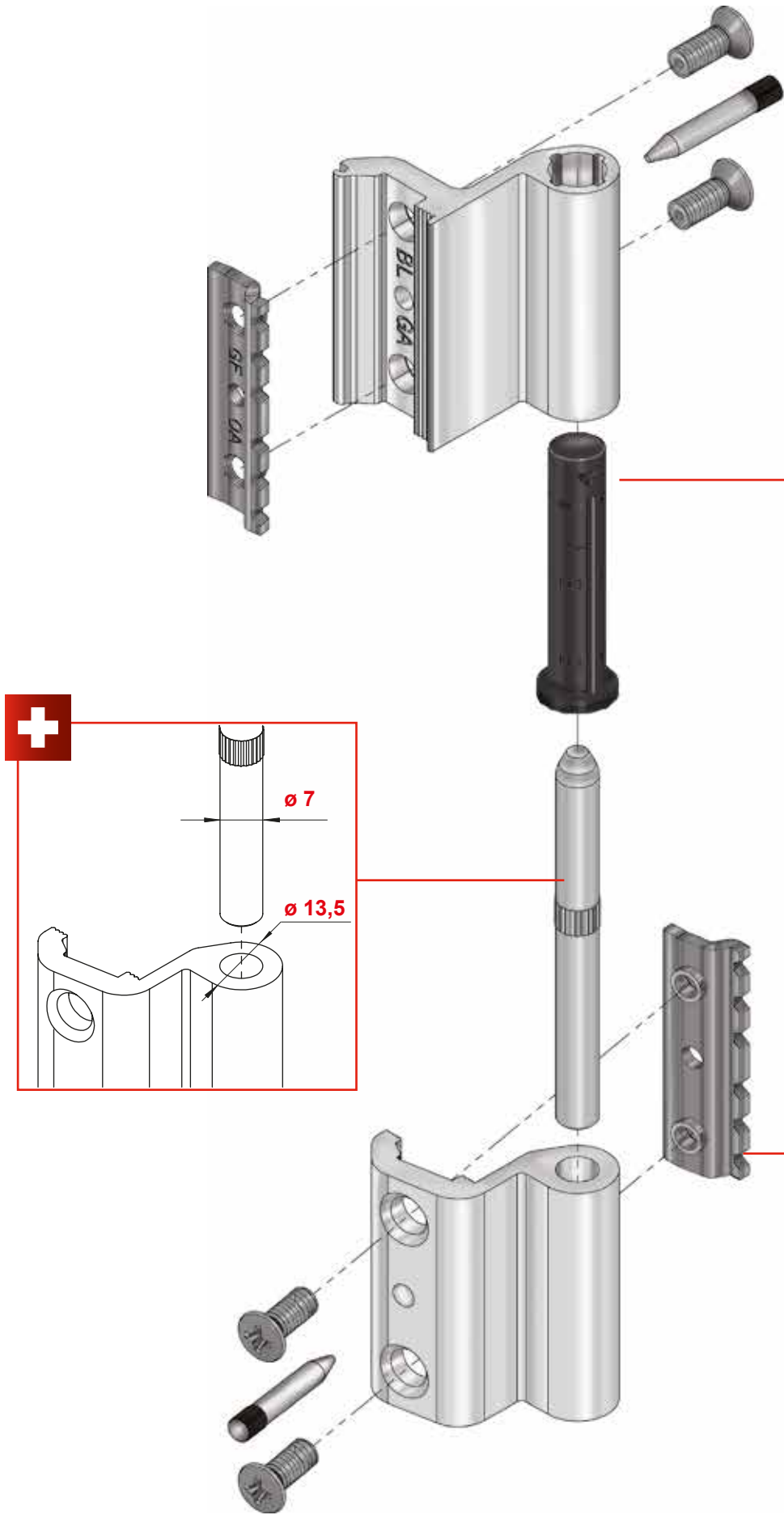
GRIP+

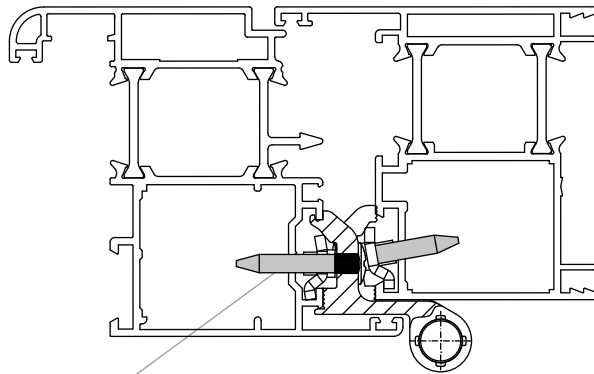


Made in Italy

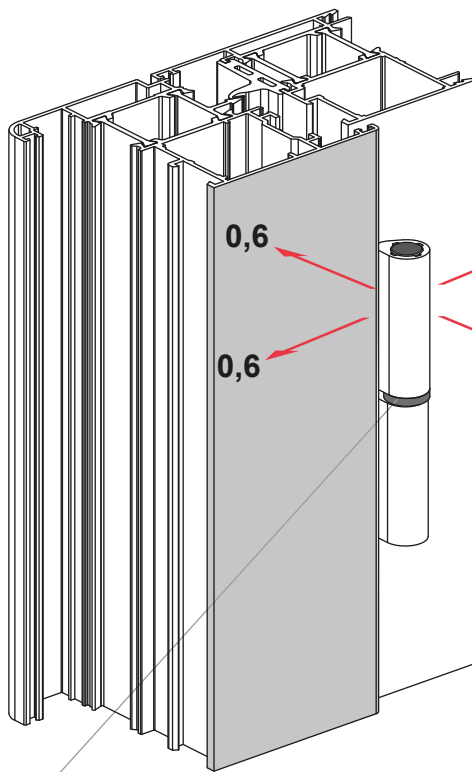
fapim[®]

Life in evolution

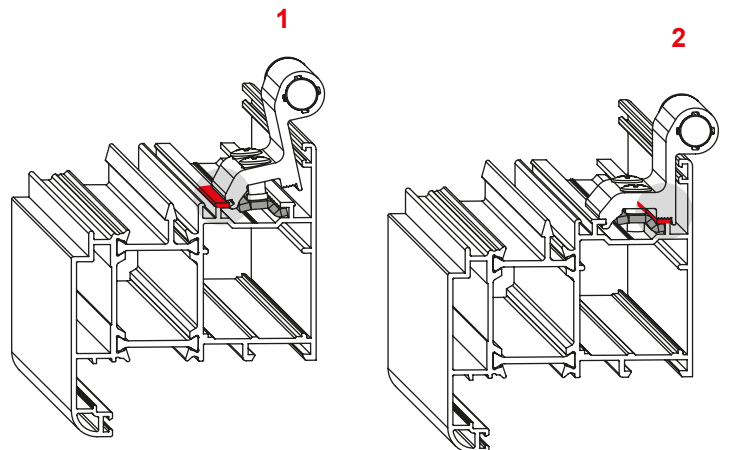
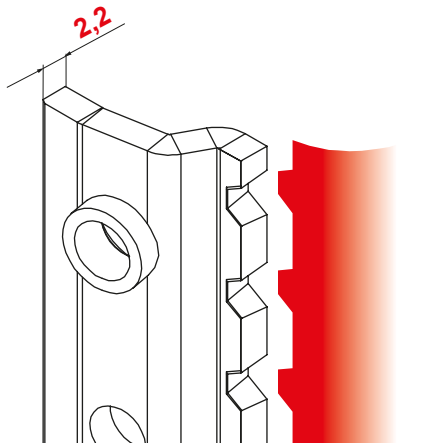
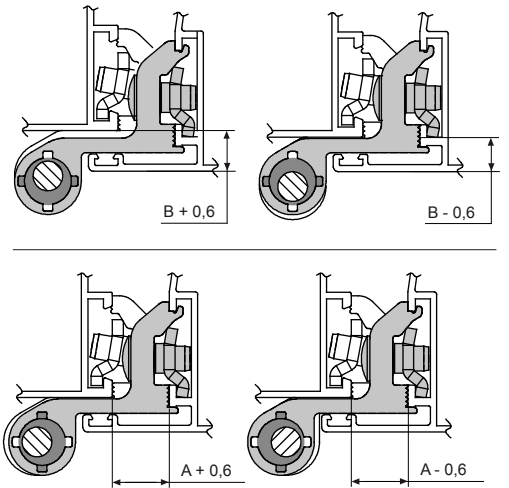


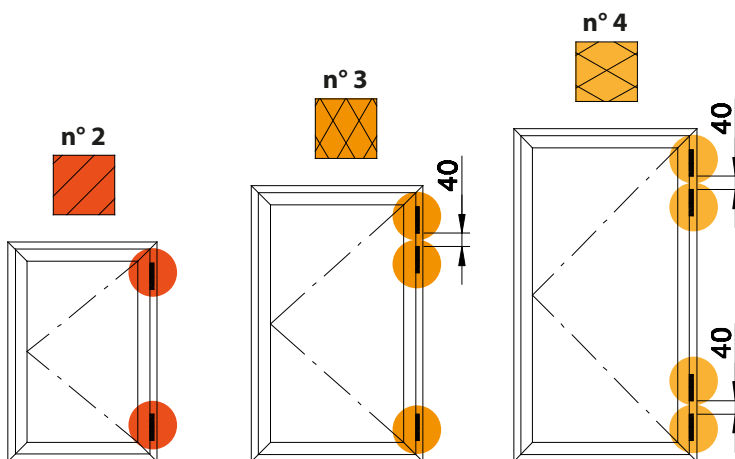
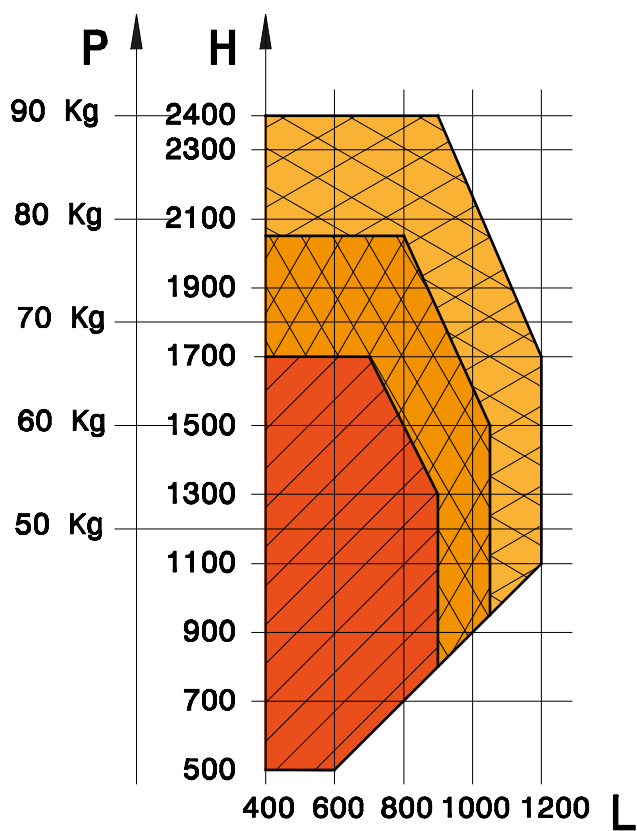
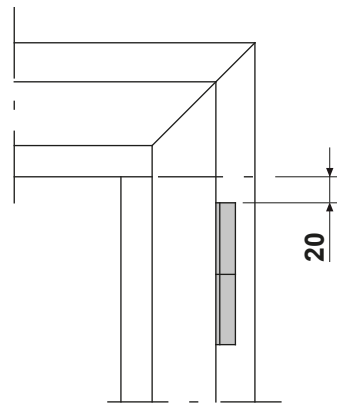


Art.
9828K



Art.
9828Z



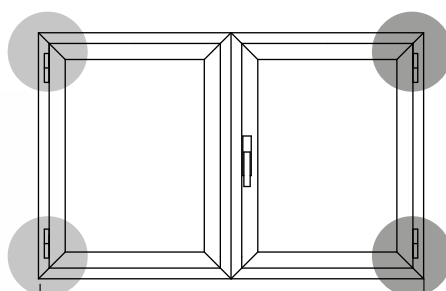


98... A

 x 50pz



98... D 98... S



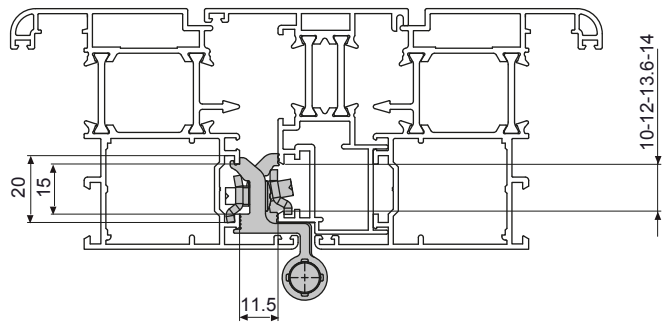
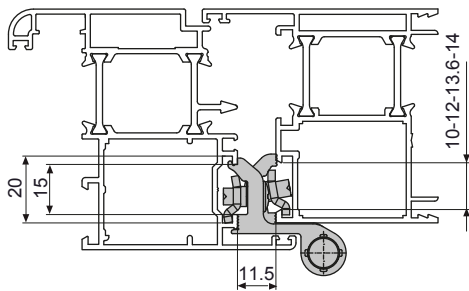
 x 50pz



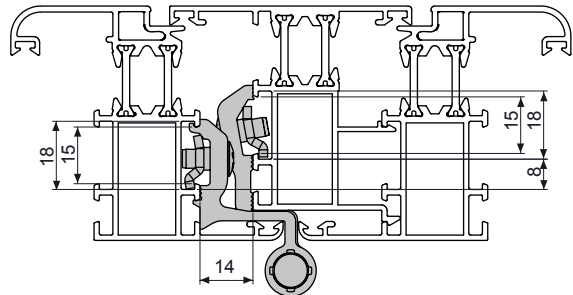
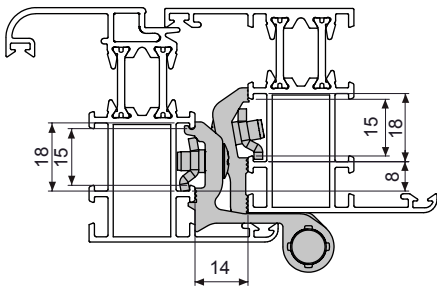


			R	L	R	L		50
9800A	•		•	•			•	50
9800D		•	•				•	
9800S		•		•			•	
9801A	•				•	•	•	
9801D		•			•		•	
9801S		•				•	•	

R L R L
 10 x 14.5
 12 x 15
 13.6 x 16.8
 15 x 20



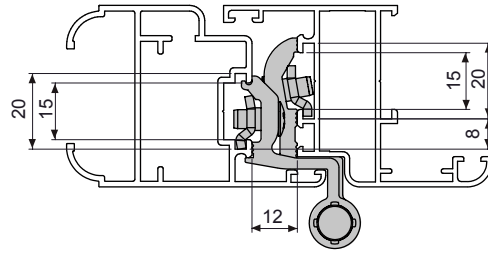
			R	L	R	L		50
9808A	•		•	•			•	50
9809A	•				•	•	•	
9810A	•		•	•			•	
9811A	•				•	•	•	



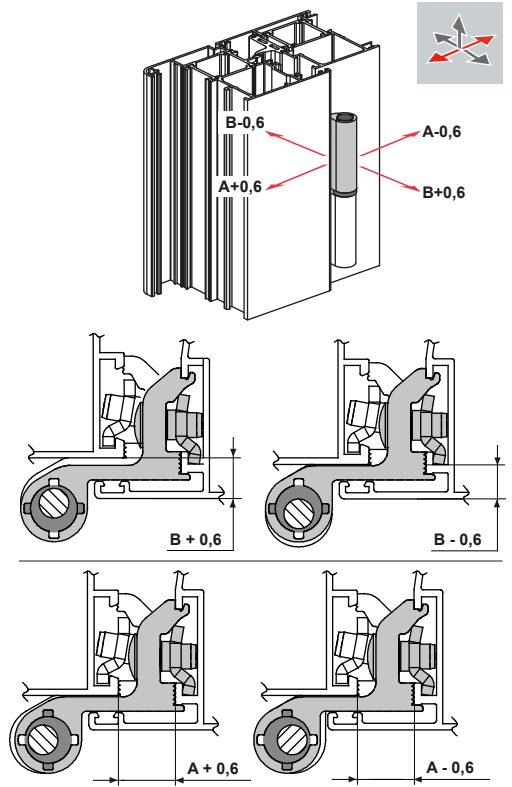
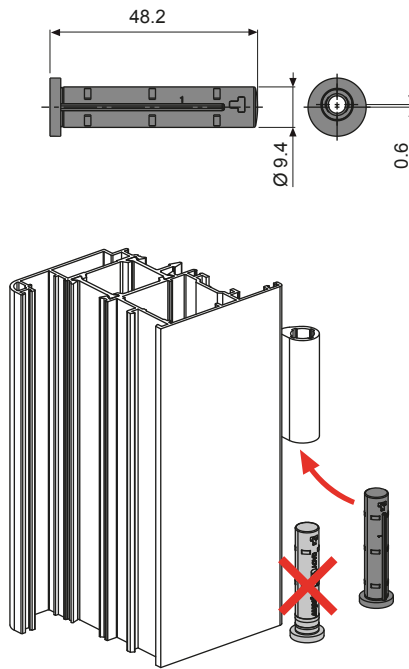
NNC40S



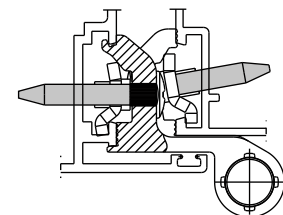
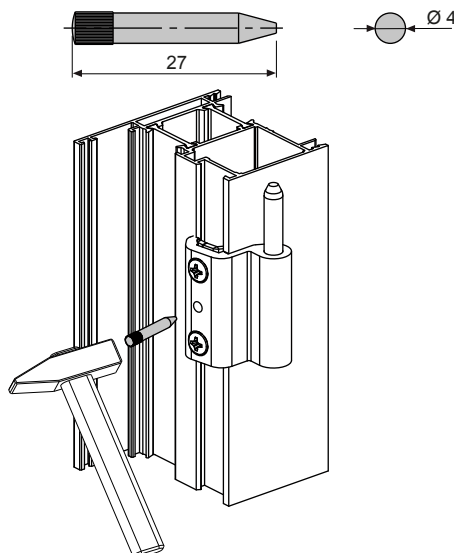
			R	L	R	L	
9812A	●		●	●			50



9828Z		100



9828K		400



fapim[®]

Fapim S.p.A.
Via delle Cerbaie, 114
55011 Altopascio (LU) Italy
T +39 0583 2601 F +39 0583 25291
www.fapim.it info@fapim.it
Cod.Fisc. e Part.I.V.A. 02224030466

DOMATIC[®]

DOMATIC
info@domatic.it www.domatic.it

fapim

BENELUX

Fapim Benelux s.pr.l.b.v.b.a.
Avenue Rue St. Roch , 17
7712 Herseaux Belgium
T +32 56 340548
F +32 56 341960
info@fapimbenelux.be

fapim

HISPANIA

Fapim Hispania s.L.
C/edison, esq. A. Ingeniero
Goicoechea 45600
Parcela, 74
Talavera De la Reina (Espana)
T +34 925 828357
F +34 925 841148
administración@fapimhispania.com
pedidos@fapimhispania.com

fapim

POLSKA

Fapim Polska sp. z o.o.
ul.Przyrzeczce 4 03-107
WarszawaNIP : 536-16-29-437
T +48 227813797
F +48 227811022
Gsm 609022972

fapim

RUSSIA

Fapim RU llc
249010, Dom 33, Kievskoe Shosse,
Obninsk, Kaluga Region
Russian Federation
T +79 163116480

fapim[®]

ARGENTINA

Fapim Argentina S.A.
Buschiazco N° 347
(1611) Don Torcuato
Partido de Tigre
Buenos Aires - Argentina
T +54 (11) 48463545